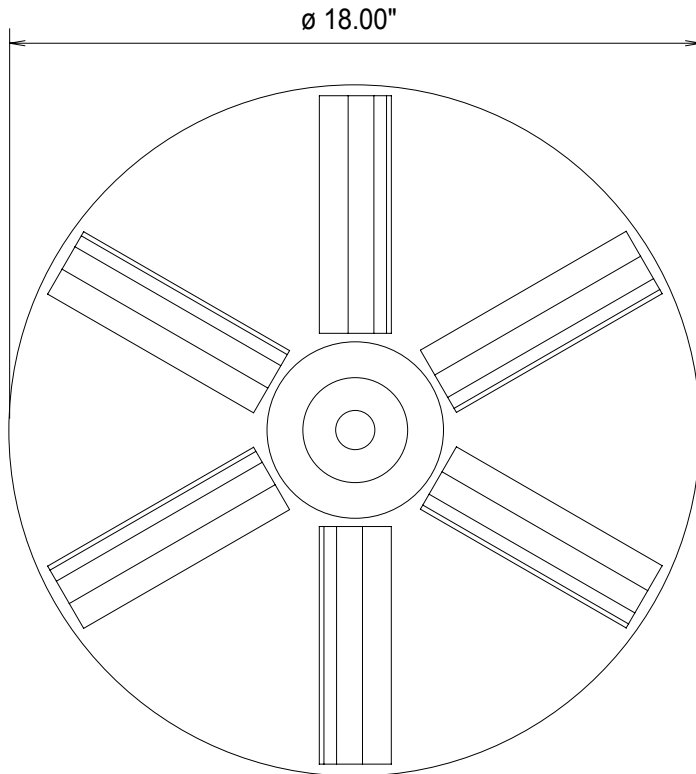




18" SALT SPINNER



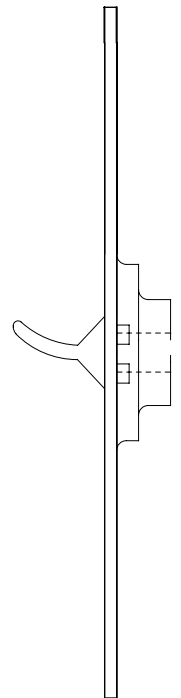
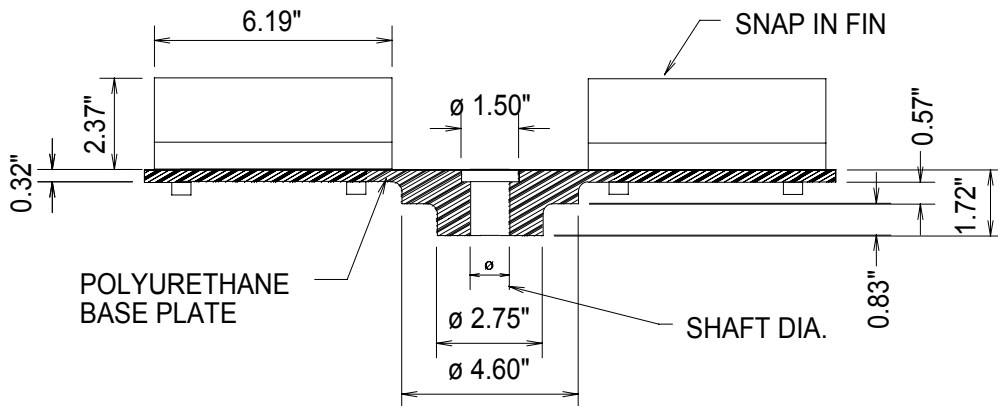
SHAFT SIZES AVAILABLE

1" STRAIGHT DIA.
1 3/8" LONG

3/4" STRAIGHT DIA.
1 3/8" LONG

3/4" TAPERED TO 5/8" DIA.
1 3/8" LONG

CUSTOM CONFIGURATIONS
AVAILABLE - PLEASE CALL



- Description:
- A) 18" Diameter Polyurethane Spreader with Snap-in Fins
 - B) 6" Long Spinner Replacement Fin
 - C) Spinner Fin Insertion Tool
 - D) 1/4" x 5" x 36" Wear Strip For Spinner Guard

Standard Colors: Spinner Body - Black : Spinner Fin - Black : Custom Available