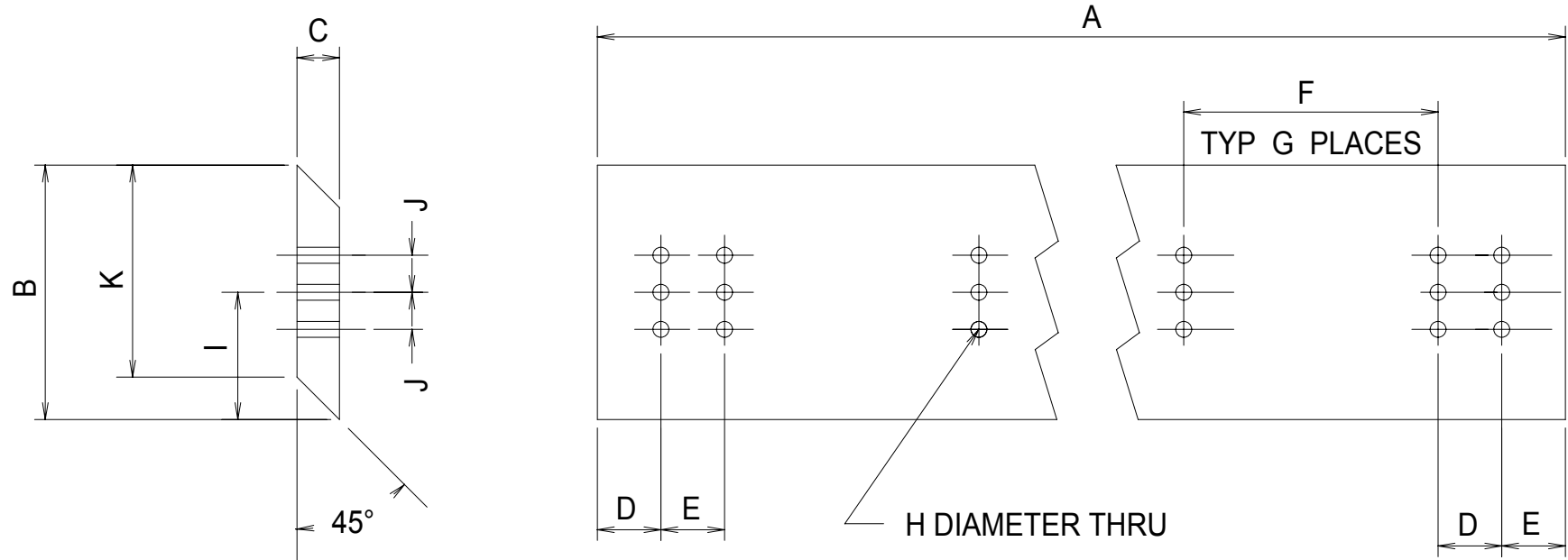



# BEVELED PLOW BLADE



- A - LENGTH SPECIFY \_\_\_\_\_
- B - WIDTH STANDARD 12" \_\_\_\_\_
- C - THICKNESS STANDARD 2" \_\_\_\_\_
- D - FIRST HOLE DISTANCE STANDARD 3" \_\_\_\_\_
- E - SECOND HOLE DISTANCE STANDARD 3" \_\_\_\_\_

- F - MIDDLE HOLE DISTANCE STANDARD 12" \_\_\_\_\_
- G - NUMBER OF SPACES SPECIFY \_\_\_\_\_
- H - HOLE DIAMETER STANDARD 3/4" \_\_\_\_\_
- I - DISTANCE TO CENTER HOLE STANDARD 6" \_\_\_\_\_
- J - DISTANCE FROM CENTER HOLE STANDARD 1 1/4" \_\_\_\_\_
- K - TOP SURFACE DISTANCE STANDARD 10" \_\_\_\_\_

COLORS - NATURAL, ORANGE, YELLOW, BLUE, RED, PINK

Description	Durometer		Revision / Date		Tolerances Unless Otherwise Specified	 <b>Pleiger Plastics Company</b> P. O. Box 1271 498 Crile Road Washington, PA 15301 (724) 228-2244 Fax (724) 228-2253
	85A					
Material	Job Number	Quote Number			X ± 0.06 0.X ± 0.03 0.XX ± 0.015 0.XXX ± 0.005 Fractions ± 1/64" Angles ± 0° 5' Cavity Surfaces 32 micro inch Mating Pieces RC8 Mark All Mold Pieces With SK Number	
PT						
Drawing Number	Rev.	Scale	Date			